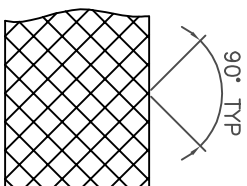
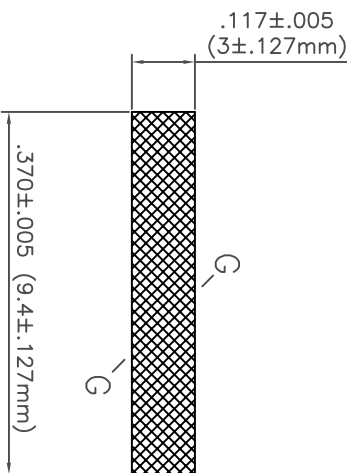


PROPRIETARY DESIGN RIGHTS

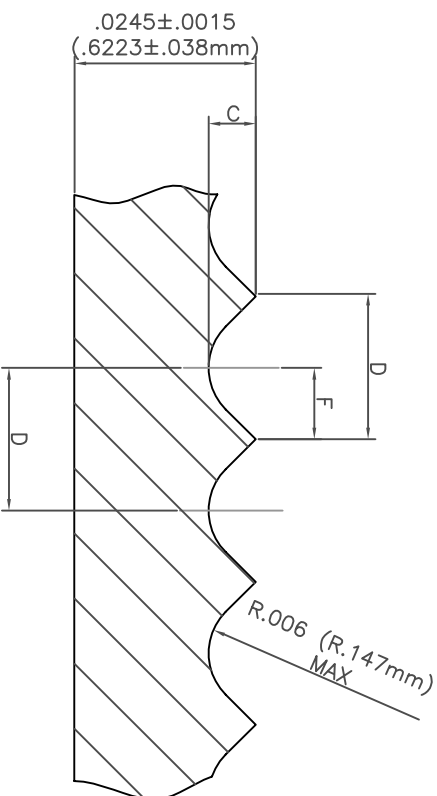
THIS DRAWING (PRINT, DISK), INCLUDING THE PRINCIPLE OF DESIGN, IS THE PROPERTY OF AND SUBMITTED BY ABRASIVE WEST LLC. IT IS NOT TO BE REPRODUCED OR COPIED IN WHOLE OR IN PART, REGARDLESS OF HOW ACCOMPLISHED, OR USED FOR FURNISHING INFORMATION TO OTHERS, OR FOR ANY OTHER PURPOSE DETRIMENTAL TO THE INTEREST OF ABRASIVE WEST LLC.

OPERATION DESCRIPTION:  
CUT-OFF TO INDIVIDUAL PCS

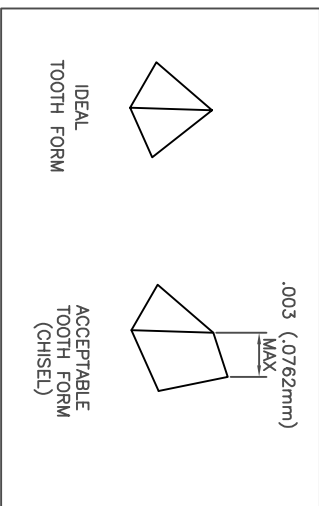
OP-600



PART NUMBER	MATERIAL	TEETH (PER SQUARE INCH)	DIMENSIONS (INCH & MM)		
			C ±.0015" (±.025mm)	D ±.001" (±.025mm)	F ±.001" (±.025mm)
370-117-C-00000-024	VC 011	0 (SMOOTH)	0	0	0
370-117-N-00000-024	VC 320	0 (SMOOTH)	0	0	0
370-117-C-02500-024	VC 011	2,500	.0097" (246mm)	.020" (508mm)	.010" (254mm)
370-117-N-02500-024	VC 320	2,500	.0097" (246mm)	.020" (508mm)	.010" (254mm)
370-117-C-03600-024	VC 011	3,600	.0093" (236mm)	.0167" (424mm)	.008" (212mm)
370-117-N-03600-024	VC 320	3,600	.0093" (236mm)	.0167" (424mm)	.008" (212mm)
370-117-C-07000-024	VC 011	7,000	.0090" (229mm)	.0119" (302mm)	.0059" (151mm)
370-117-N-07000-024	VC 320	7,000	.0090" (229mm)	.0119" (302mm)	.0059" (151mm)
370-117-C-10000-024	VC 011	10,000	.0041" (104mm)	.0100" (254mm)	.005" (127mm)
370-117-N-10000-024	VC 320	10,000	.0041" (104mm)	.0100" (254mm)	.005" (127mm)
370-117-C-14400-024	VC 011	14,400	.0036" (91mm)	.0083" (211mm)	.0042" (106mm)
370-117-N-14400-024	VC 320	14,400	.0036" (91mm)	.0083" (211mm)	.0042" (106mm)



SECTION G-G ROTATION 45°



MATERIAL	COMPOSITION
VC 011	COBALT TANTALUM CARBIDE TUNGSTEN CARBIDE BALANCE
VC 320	NICKEL TUNGSTEN CARBIDE BALANCE

UNLESS OTHERWISE NOTED:

- .XX = ±.010
- .XXX = ±.005
- .XXXX = ±.0002
- ANGLES ±1°
- INTERNAL R<sub>s</sub> = .035max
- BREAK EDGES .030min
- SURFACE FINISH 64 U.O.S.

CUSTOMER: CARBIDE

P/N

AutoCad

SCALE: N.T.S.

PART NAME:

CARBIDE INSERT

Drawn by:

DATE: 4/7/99

ABRASIVE WEST LLC  
1292 HUMBRACHT CIRCLE, UNIT F, BARTLETT, IL 60103  
FAX(630)-736-0818

ACAD DWG #

REV	CHANGE	DATE	BY
1	-	-	-

REV	CHANGE	DATE	BY
1	-	-	-

OP-600-370-117-024